

1 2 3 4 5 6 7 8

RevNo	Revision note	Date	Reviser	Checked
-------	---------------	------	---------	---------

A

A

B

B

C

C

D

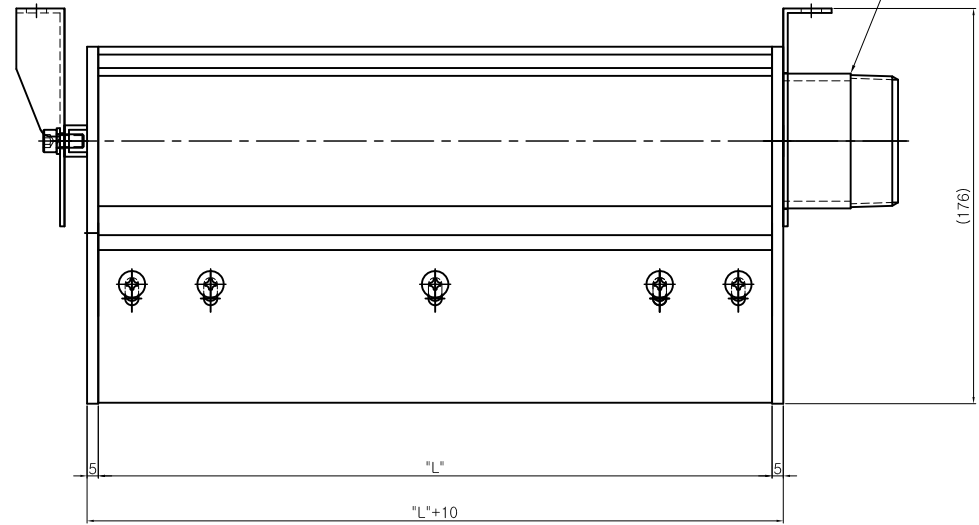
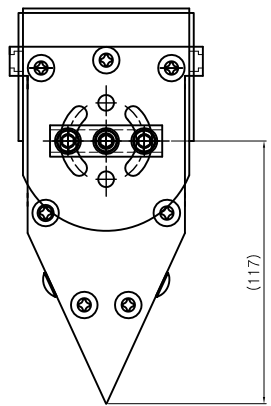
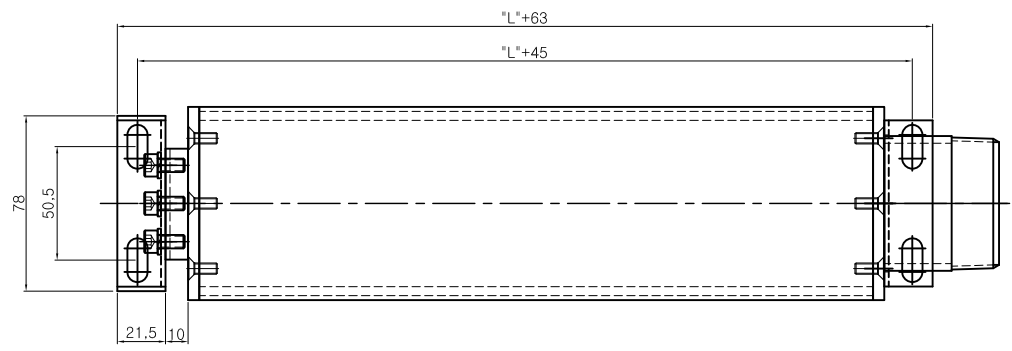
D

E

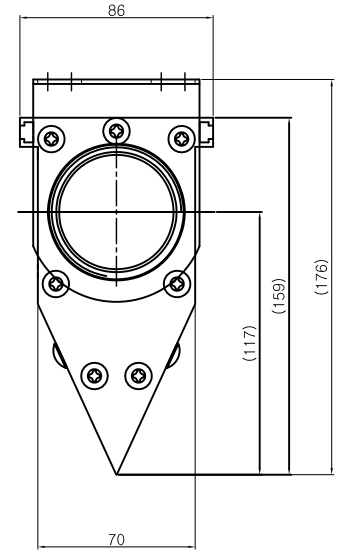
E

F

F



50A Nipple("S1" Type)



No	Description	Specification	Q'ty	Material	Weight	Remark
Designed	Checked	Approved	Size	Filename	Date	Scale
			A3		2014.08	1/1
Customer			Title			
			Air knife Ass'y			
Maker			50AL-'S1' Type			
			drawing no.		Edition	
					0	

1 2 3 4 5 6 7 8